

Fixing Sockets Schroeder System

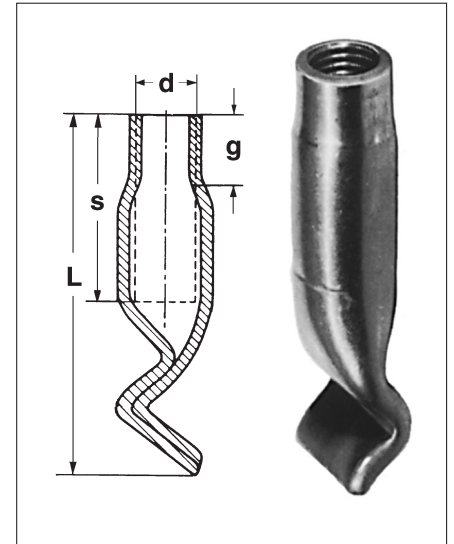
with crimped end
grade 1.4571 stainless steel (A4)



List



Dimensions [mm]				Approx. weight per 100 pieces [kg]	Permissible load with 4-fold/5-fold safety factor in kg [1 kg = 10 N, 1000 kg = 1 t = 10 kN]			
d x L	Reference No.	g	s		axial 0°	inclined pull up to		
Grade 1.4571 stainless steel (A4)					30°	45°	90°	
M 8 x 40	k1115va	9	15	1.60	200	150	100	70
M 8 x 60	k1117va	9	35	2.60	240	190	130	80
M 10 x 50	k1126va	10	25	2.26	270	200	140	80
M 10 x 60	k1127va	10	35	2.80	330	260	160	100
M 10 x 80	k1128va	10	55	3.58	340	270	180	100
M 10 x 60	k1135va	11	32	3.70	450	400	350	250
M 12 x 60	k1140va	12	30	3.15	400	300	220	140
M 12 x 80	k1141va	12	50	4.40	420	310	230	150
M 12 x 100	k1142va	12	70	5.20	440	330	240	160
M 12 x 50	k1150va	12	12	3.90	500	400	350	250
M 12 x 70	k1151va	12	30	5.55	600	450	400	300
M 16 x 70	k1160va	15	25	8.67	800	650	600	400
M 16 x 80	k1161va	15	35	9.75	850	700	600	430
M 16 x 100	k1162va	15	55	12.36	1000	800	700	500
M 20 x 90	k1170va	18	25	15.53	1100	900	800	600
M 20 x 100	k1171va	18	40	17.25	1300	1000	950	650
M 24 x 105	k1180va	21	40	29.00	1600	1300	1100	800
M 24 x 120	k1181va	21	55	33.95	1700	1400	1200	850



Permissible loads have been determined by way of pull-out tests in axial, inclined, and transverse direction from C 20/25 (B 25) unreinforced concrete. A 4-fold/5-fold safety factor is allowed for in the above figures.

Special designs on request