

# Fixing Sockets Schroeder System

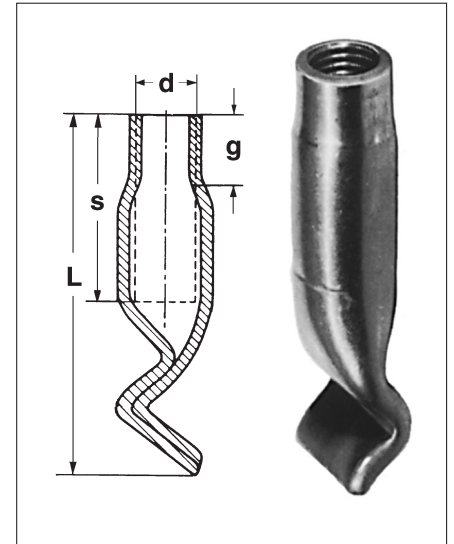
with crimped end



List



Dimensions [mm]				Approx. weight per 100 pieces [kg]	Permissible load with 4-fold/5-fold safety factor in kg [1 kg = 10 N, 1000 kg = 1 t = 10 kN]			
d x L	Reference No.	g	s		axial 0°	inclined pull up to 30°	inclined pull up to 45°	inclined pull up to 90°
M 5 x 40	<b>k1105bk/zn</b>	5	22	1.00	120	90	60	40
M 6 x 40	<b>k1110bk/zn</b>	6	20	1.00	150	110	80	50
M 6 x 50	<b>k1111bk/zn</b>	6	30	1.20	170	130	90	60
M 6 x 60	<b>k1112bk/zn</b>	6	40	1.45	180	140	100	60
M 8 x 40	<b>k1115bk/zn</b>	8	15	1.20	200	150	100	70
M 8 x 50	<b>k1116bk/zn</b>	8	25	1.65	220	170	120	70
M 8 x 60	<b>k1117bk/zn</b>	8	35	1.93	240	190	130	80
M 8 x 80	<b>k1118bk/zn</b>	8	55	2.40	270	220	140	80
M 8 x 100	<b>k1119bk/zn</b>	8	75	3.20	300	240	160	90
M 10 x 40	<b>k1125bk/zn</b>	10	15	1.60	220	170	110	70
M 10 x 50	<b>k1126bk/zn</b>	10	25	2.00	270	200	140	80
M 10 x 60	<b>k1127bk/zn</b>	10	35	2.38	330	260	160	100
M 10 x 80	<b>k1128bk/zn</b>	10	55	3.23	340	270	180	100
M 10 x 100	<b>k1129bk/zn</b>	10	75	3.98	350	280	190	110
M 10 x 60	<b>k1135bk/zn</b>	10	32	3.90	450	400	350	250
M 12 x 60	<b>k1140bk/zn</b>	12	28	3.50	400	300	220	140
M 12 x 80	<b>k1141bk/zn</b>	12	48	4.32	420	310	230	150
M 12 x 100	<b>k1142bk/zn</b>	12	68	5.60	440	330	240	160
M 12 x 120	<b>k1143bk/zn</b>	12	88	6.80	450	340	250	160
M 12 x 50	<b>k1150bk/zn</b>	12	20	3.97	500	400	350	250
M 12 x 70	<b>k1151bk/zn</b>	12	40	5.46	600	450	400	300
M 12 x 100	<b>k1152bk/zn</b>	12	70	7.74	650	500	450	320
M 14 x 80	<b>k1155bk/zn</b>	13	45	6.87	700	600	500	350
M 14 x 100	<b>k1156bk/zn</b>	13	65	9.10	720	600	500	350
M 16 x 60	<b>k1159bk/zn</b>	15	20	7.80	650	500	450	350
M 16 x 70	<b>k1160bk/zn</b>	15	25	9.12	800	650	600	400
M 16 x 80	<b>k1161bk/zn</b>	15	35	10.43	850	700	600	430
M 16 x 100	<b>k1162bk/zn</b>	15	55	12.50	1000	800	700	500
M 16 x 120	<b>k1163bk/zn</b>	15	75	15.40	1000	850	750	500
M 16 x 150	<b>k1164bk/zn</b>	15	105	18.90	1100	900	800	550
M 20 x 90	<b>k1170bk/zn</b>	18	25	17.00	1100	900	800	600
M 20 x 100	<b>k1171bk/zn</b>	18	45	19.00	1300	1000	950	650
M 20 x 120	<b>k1172bk/zn</b>	18	65	22.20	1400	1100	1000	700
M 20 x 150	<b>k1173bk/zn</b>	18	95	28.30	1500	1200	1100	750
M 24 x 105	<b>k1180bk/zn</b>	21	40	26.70	1600	1300	1100	800
M 24 x 120	<b>k1181bk/zn</b>	21	55	30.70	1700	1400	1200	850
M 27 x 130	<b>k1185bk/zn</b>	22	50	42.00	2200	1800	1500	1100
M 30 x 150	<b>k1187bk/zn</b>	23	75	72.70	3000	2400	2100	1500



Permissible loads have been determined by way of pull-out tests in axial, inclined, and transverse direction from C 20/25 (B 25) unreinforced concrete. A 4-fold/5-fold safety factor is allowed for in the above figures.

On your request our fixing sockets come with 4 to 6 µm electro plating plus yellow chromate coating.

Special designs on request

10/2006/WW



**Friedrich Schroeder GmbH & Co. KG**

58809 Neuenrade, Germany · Fon +49 (0) 23 94 / 91 80-0 · Fax +49 (0) 23 94 / 91 80-88  
info@schroeder-neuenrade.de · www.schroeder-neuenrade.de