

Fixing Sockets Schroeder System

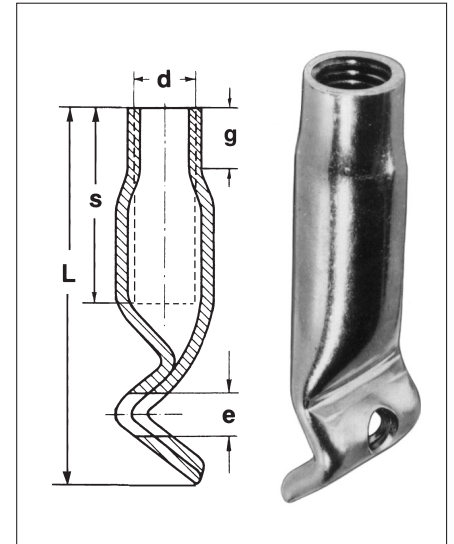
with hole in the crimped end



List

12

Dimensions [mm]					Approx. weight je 100 pieces [kg]	Permissible load with 4-fold/5-fold safety factor in kg [1 kg = 10 N, 1000 kg = 1 t = 10 kN]			
d x L	Reference No.	g	s	e		axial 0°	inclined pull		
							up to 30°	up to 45°	up to 90°
M 8 x 40	k1215bk/zn	8	15	8.3	1.20	200	150	100	70
M 8 x 50	k1216bk/zn	8	25	8.3	1.54	220	170	120	70
M 8 x 60	k1217bk/zn	8	35	8.3	1.80	240	190	130	80
M 8 x 80	k1218bk/zn	8	55	8.3	2.50	270	220	140	80
M 8 x 100	k1219bk/zn	8	75	8.3	3.26	300	240	160	90
M 10 x 40	k1225bk/zn	10	15	8.3	1.49	220	170	110	70
M 10 x 50	k1226bk/zn	10	25	8.3	1.90	270	200	140	80
M 10 x 60	k1227bk/zn	10	35	8.3	2.25	330	260	160	100
M 10 x 80	k1228bk/zn	10	55	8.3	2.96	340	270	180	100
M 10 x 100	k1229bk/zn	10	75	8.3	3.78	350	280	190	110
M 10 x 60	k1235bk/zn	10	32	8.3	3.79	450	400	350	250
M 12 x 60	k1240bk/zn	12	28	8.3	3.07	400	300	220	140
M 12 x 80	k1241bk/zn	12	48	8.3	4.40	420	310	230	150
M 12 x 100	k1242bk/zn	12	68	8.3	5.47	440	330	240	160
M 12 x 120	k1243bk/zn	12	88	8.3	6.67	450	340	250	160
M 12 x 50	k1250bk/zn	12	20	8.3	3.83	500	400	350	250
M 12 x 70	k1251bk/zn	12	40	8.3	5.48	600	450	400	300
M 12 x 100	k1252bk/zn	12	70	8.3	7.49	650	500	450	320
M 14 x 80	k1255bk/zn	13	45	10.3	6.93	700	600	500	350
M 14 x 100	k1256bk/zn	13	65	10.3	8.84	720	600	500	350
M 16 x 70	k1260bk/zn	15	25	10.3	9.81	800	650	600	400
M 16 x 80	k1261bk/zn	15	35	10.3	10.57	850	700	600	430
M 16 x 100	k1262bk/zn	15	55	10.3	12.00	1000	800	700	500
M 16 x 120	k1263bk/zn	15	75	10.3	16.66	1000	850	750	500
M 16 x 150	k1264bk/zn	15	105	10.3	18.84	1100	900	800	550
M 20 x 90	k1270bk/zn	18	25	12.3	16.44	1100	900	800	600
M 20 x 100	k1271bk/zn	18	45	12.3	18.26	1300	1000	950	650
M 20 x 120	k1272bk/zn	18	65	12.3	21.99	1400	1100	1000	700
M 20 x 150	k1273bk/zn	18	95	12.3	27.14	1500	1200	1100	750
M 24 x 105	k1280bk/zn	21	40	14.3	25.62	1600	1300	1100	800
M 24 x 120	k1281bk/zn	21	55	14.3	29.21	1700	1400	1200	850
M 27 x 130	k1285bk/zn	22	50	14.3	41.39	2200	1800	1500	1100
M 30 x 150	k1287bk/zn	23	75	14.3	71.63	3000	2400	2100	1500



Permissible loads have been determined by way of pull-out tests in axial, inclined, and transverse direction from C 20/25 (B 25) unreinforced concrete. A 4-fold/5-fold safety factor is allowed for in the above figures.

On your request our fixing sockets come with 4 to 6 µm electro plating plus yellow cromate coating.

Special designs on request

10/2006/WW



Friedrich Schroeder GmbH & Co. KG

58809 Neuenrade, Germany · Fon +49 (0) 23 94 / 91 80-0 · Fax +49 (0) 23 94 / 91 80-88
info@schroeder-neuenrade.de · www.schroeder-neuenrade.de