

Fixing Sockets Schroeder System

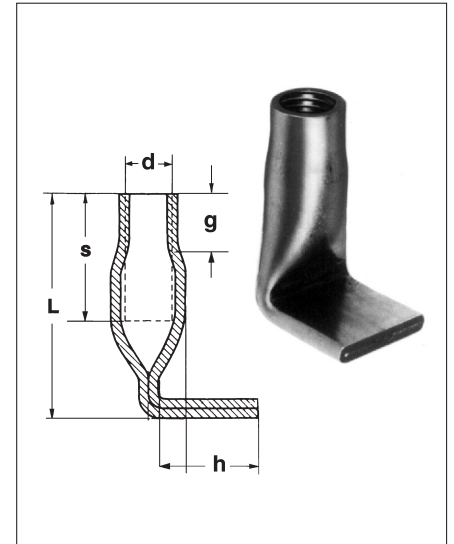
with bend end available in mild steel (bk)
electro plated (zn) and stainless steel (A4)



List
15



Dimensions [mm]				Approx. weight per 100 pieces [kg]	Permissible load with 4-fold/5-fold safety factor in kg [1 kg = 10 N, 1000 kg = 1 t = 10 kN]
d x L x h	Reference No.	g	s		
M 8 x 30 x 20	k1508bk/zn	8	16	1.32	axial 180
M 10 x 35 x 21	k1510bk/zn	10	16	2.00	axial 240
M 12 x 45 x 25	k1512bk/zn	12	23	3.40	axial 400
M 16 x 60 x 30	k1516bk/zn	15	32	9.91	axial 950
M 20 x 70 x 30	k1520bk/zn	18	39	16.30	axial 1250
M 24 x 80 x 37	k1524bk/zn	21	46	25.60	axial 1450



Dimensions [mm]				Approx. weight per 100 pieces [kg]	Permissible load with 4-fold/5-fold safety factor
d x L x h	Reference No.	g	s		
M 8 x 30 x 20	k1508va	9	12	1.70	axial 180
M 10 x 35 x 21	k1510va	10	12	2.50	axial 240
M 12 x 45 x 25	k1512va	12	17	3.50	axial 400
M 16 x 60 x 30	k1516va	15	23	9.50	axial 950
M 20 x 70 x 30	k1520va	18	25	16.00	axial 1250
M 24 x 80 x 37	k1524va	21	25	25.60	axial 1450

Permissible loads have been determined by way of pull-out tests in axial, inclined, and transverse direction from C 20/25 (B 25) unreinforced concrete. A 4-fold/5-fold safety factor is allowed for in the above figures.

On your request our fixing sockets come with 4 to 6 µm electro plating plus yellow cromate coating.

Special designs on request

10/2006/WW



Friedrich Schroeder GmbH & Co. KG

58809 Neuenrade, Germany · Fon +49 (0) 23 94 / 91 80-0 · Fax +49 (0) 23 94 / 91 80-88
info@schroeder-neuenrade.de · www.schroeder-neuenrade.de