

Fixing Sockets Schroeder System

with crosspin
and technical approval



List
20



Approved by German government authority for cracked and uncracked concrete

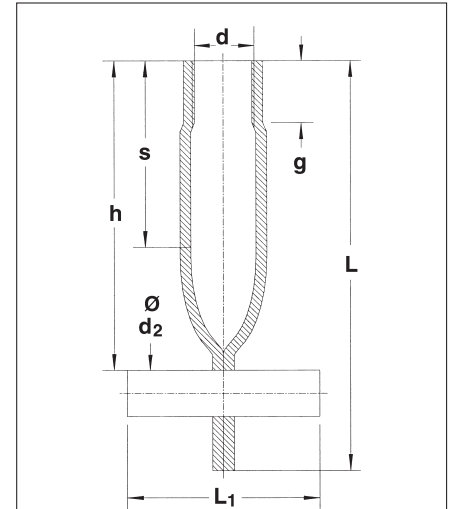
The use in uncracked and cracked concrete has been approved for both, the individual cast-in socket or groups of cast-in sockets.

Over and above the specifications of this catalogue page the approval notice Z-21.4-87 of the DIBt shall be complied with. The customer will be responsible for all damage resulting from any non-compliant use.

Official approval for the cast-in sockets with crossbar has been granted by the German Institute for Civil Engineering and Building Activities at Berlin for predominantly static loads in reinforced or non-reinforced concrete of the property class C 12/15 (B 15) at least.

Depending on the application, sockets from electroplated steel or stainless steel must be used.

Designs: with or without nailing plate. The crosspin from mild steel has been pressed in, all dimensions have been defined in the dimension table.



- d nominal thread diameter
- g thread length
- s maximum screw length
- L length of the socket
- L₁ length of the crosspin
- h length to crosspin
- d₂ crosspin diameter

Dimensions [mm]	electro plated sockets (zn) mild steel crosspin		Grade 1.4571 (A4) stainless steel		Approx. weight per 100 pieces without nailing plate [kg]	Approx. weight per 100 pieces with welded nailing plate [kg]
	without nailing plate	with welded nailing plate	without nailing plate	with welded nailing plate		
d x L	Ref. No.	Ref. No.	Ref. No.	Ref. No.		
M 8 x 53	k2008zn	k2008znp	k2008va	k2008vap	3.00	4.10
M 10 x 68	k2010zn	k2010znp	k2010va	k2010vap	6.00	7.50
M 12 x 81	k2012zn	k2012znp	k2012va	k2012vap	8.80	9.88
M 16 x 106	k2016zn	k2016znp	k2016va	k2016vap	18.37	20.00
M 20 x 129	k2020zn	k2020znp	k2020va	k2020vap	30.00	33.90
M 24 x 166	k2024zn	k2024znp	k2024va	k2024vap	51.60	56.63



Table of loads: in uncracked concrete

[mm] d x L	without reinforcement		with reinforcement	
	C 12/15 (B 15)	C 20/25 (B 25)	C 12/15 (B 15)	C 20/25 (B 25)
M 8 x 53	1.7	2.5	2.0	3.0
M 10 x 68	2.9	4.2	3.9	5.7
M 12 x 81	4.1	6.0	5.0	7.3
M 16 x 106	7.1	10.2	8.0	11.4
M 20 x 129	10.7	15.3	11.3	16.2
M 24 x 166	15.4	22.1	15.4	22.1

Table of dimensions:

d x L	Dimensions [mm]				
	g	s	L ₁	h	d ₂
M 8 x 53	8.0	28.0	25.0	40.0	8.0
M 10 x 68	10.0	35.0	35.0	50.0	10.0
M 12 x 81	12.0	43.0	35.0	60.0	12.0
M 16 x 106	16.0	55.0	50.0	80.0	12.0
M 20 x 129	20.0	68.0	60.0	100.0	14.0
M 24 x 166	24.0	85.0	75.0	125.0	14.0

