

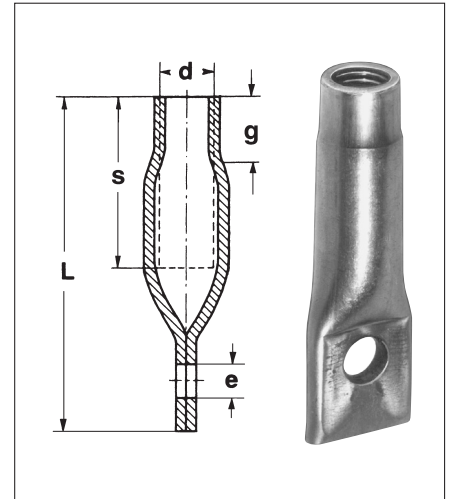
Fixing Sockets Schroeder System

with crosshole and flat end



List
21

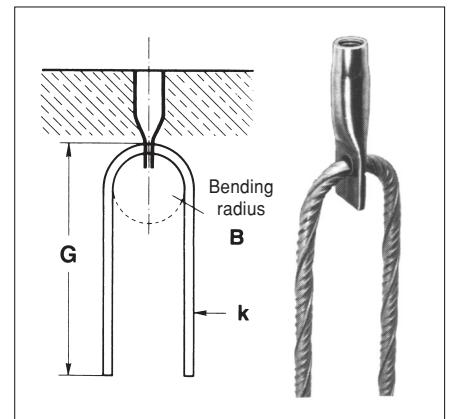
Dimensions [mm]			g	s	e	Approx. weight per 100 pieces [kg]	Permissible load with 4-fold/5-fold safety factor in kg [1 kg = 10 N, 1000 kg = 1 t = 10 kN]			
d x L	Reference No.	Grade 1.4571 (A4) stainless steel					axial 0°	inclined pull up to 30°	inclined pull up to 45°	inclined pull up to 90°
M 8 x 40	k2115va		9	10	8.3	1.43	240	200	150	100
M 8 x 53	k2117va		9	23	8.3	1.95	240	200	150	100
M 10 x 45	k2124va		10	15	10.3	1.75	290	230	170	100
M 10 x 57	k2127va		10	25	10.3	2.27	290	230	170	100
M 10 x 57	k2135va		10	24	10.3	3.10	450	400	300	250
M 12 x 55	k2139va		12	20	12.3	2.60	440	370	250	150
M 12 x 78	k2141va		12	43	12.3	3.53	600	500	400	350
M 12 x 62	k2149va		12	25	12.3	4.00	600	500	400	350
M 14 x 80	k2155va		13	33	12.3	6.30	600	500	450	400
M 16 x 80	k2161va		15	30	12.3	8.45	1300	1100	900	800
M 16 x 100	k2162va		15	50	12.3	10.72	1300	1100	900	800
M 20 x 95	k2171va		18	28	14.3	15.53	1700	1500	1300	900
M 20 x 115	k2172va		18	50	14.3	19.15	1700	1500	1300	900
M 24 x 120	k2181va		21	40	14.3	29.58	2000	1700	1500	1000



Permissible loads have been determined by way of pull-out tests in axial, inclined, and transverse direction from C 20/25 (B 25) unreinforced concrete. A 4-fold/5-fold safety factor is allowed for in the above figures.

★ The specified loads can be achieved when using U-shaped reinforcing bars in the following dimensions

[mm]			
d	Ø k	B	G
M 10	8	60	250
M 12	10	60	300
M 14	10	70	300
M 16	10	70	350
M 20	12	80	400
M 24	12	80	450
M 27	14	100	500
M 30	14	100	600



Special designs on request