

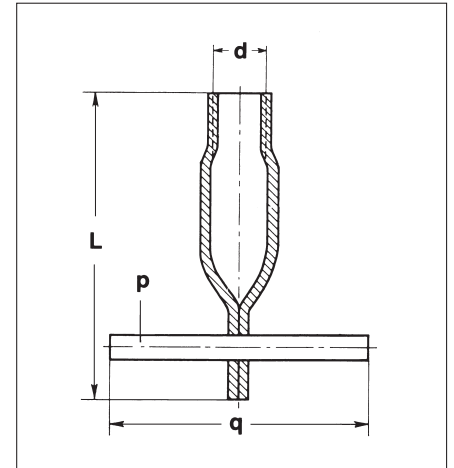
# Fixing Sockets Schroeder System

with crosspin "Standard Type"



List  
**22**

Dimensions [mm]				Approx. weight per 100 pieces [kg]	Permissible load with 4-fold/5-fold safety factor in kg [1 kg = 10 N, 1000 kg = 1 t = 10 kN]			
d x L	Reference No.	p	q		axial 0°	inclined pull up to		
					30°	45°	90°	
M 6 x 35	<b>k2209bk/zn</b>	6	40	1.67	160	120	90	60
M 8 x 40	<b>k2215bk/zn</b>	8	50	3.10	200	160	120	70
M 8 x 53	<b>k2217bk/zn</b>	8	50	3.50	220	180	130	80
M 10 x 45	<b>k2224bk/zn</b>	10	60	5.25	260	220	140	80
M 10 x 57	<b>k2227bk/zn</b>	10	60	5.70	310	250	170	90
M 10 x 57	<b>k2235bk/zn</b>	10	70	7.60	500	400	350	200
M 12 x 55	<b>k2239bk/zn</b>	12	70	8.75	490	400	230	150
M 12 x 78	<b>k2241bk/zn</b>	12	70	10.00	650	500	450	250
M 12 x 62	<b>k2249bk/zn</b>	12	70	10.45	650	500	450	250
M 14 x 80	<b>k2255bk/zn</b>	12	70	12.70	700	500	480	350
M 14 x 100	<b>k2256bk/zn</b>	12	70	14.40	700	550	530	350
M 16 x 80	<b>k2261bk/zn</b>	12	100	17.85	900	750	650	400
M 16 x 100	<b>k2262bk/zn</b>	12	100	20.47	1000	800	700	400
M 16 x 120	<b>k2263bk/zn</b>	12	100	23.30	1200	900	700	400
M 20 x 95	<b>k2271bk/zn</b>	14	120	30.69	1200	1000	900	500
M 20 x 115	<b>k2272bk/zn</b>	14	120	34.50	1300	1100	900	500
M 24 x 120	<b>k2281bk/zn</b>	14	150	46.62	1800	1500	1300	700
M 27 x 135	<b>k2285bk/zn</b>	17	150	67.70	1900	1600	1400	900
M 30 x 150	<b>k2287bk/zn</b>	17	150	91.70	2700	2100	1700	1100



Permissible loads have been determined by way of pull-out tests in axial, inclined, and transverse direction from C 20/25 (B 25) unreinforced concrete. A 4-fold/5-fold safety factor is allowed for in the above figures.

On your request our fixing sockets come with 4 to 6 µm electro plating plus yellow chromate coating.

Special designs on request

10/2006/WW



**Friedrich Schroeder GmbH & Co. KG**

58809 Neuenrade, Germany · Fon +49 (0) 23 94 / 91 80-0 · Fax +49 (0) 23 94 / 91 80-88  
info@schroeder-neuenrade.de · www.schroeder-neuenrade.de