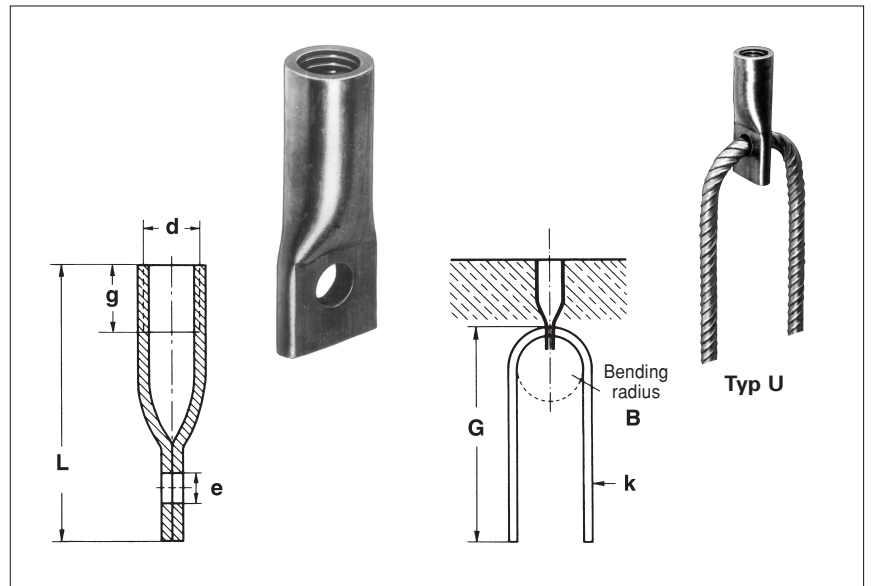


Lifting Sockets

complete with flat end and crosshole
available in metric- and Rd thread forms



List
30



Load stages [kg]	d x l [mm]	Metric thread		Approx. weight per 100 pieces [kg]
		mild steel (bk) Reference No.	electro plated (zn) Reference No.	
400	M 10 x 50	k3010bk	k3010zn	3.10
500	M 12 x 60	k3012bk	k3012zn	4.10
800	M 14 x 70	k3014bk	k3014zn	6.50
1200	M 16 x 79	k3016bk	k3016zn	11.10
2000	M 20 x 99	k3020bk	k3020zn	22.00
2500	M 24 x 112	k3024bk	k3024zn	30.00
3000	M 27 x 131	k3027bk	k3027zn	38.00
4000	M 30 x 156	k3030bk	k3030zn	76.60

Dimensions of the sockets [mm]		
d x L	g	e
M 10 x 50	22	10.3
M 12 x 60	25	10.3
M 14 x 70	25	13.3
M 16 x 79	27	13.3
M 20 x 99	35	15.3
M 24 x 112	43	17.3
M 27 x 131	48	19.5
M 30 x 156	56	19.5

Dimensions of the U-shaped re-bars [mm]		
k	G	B
8	250	60
8	300	60
10	300	70
10	350	70
12	400	80
14	450	100
16	500	116
16	600	130

Load stages are the same for all product groups.

Load capacity is the maximum load that complies with the "Safety Standards for Transport Anchors and Transport Systems in Precast Concrete Elements". All safety factors for the breakage of rope (4), steel and concrete (3) have been included in the calculation.

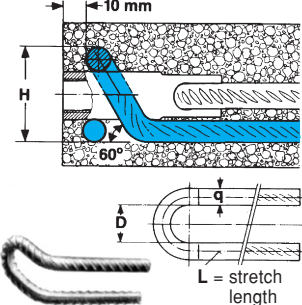
Additional reinforcement must be applied by the user as shown (see table)!

All dimensions also come with a round thread (Rd).
This product group is also available as a "GS"-tested anchor.
Feel free to request the "GS"-approval information.

On your request our fixing sockets come with 4 to 6 µm electro plating plus yellow cromate coating.

Special designs on request

Additional reinforcements for transverse and inclined load



transverse reinforcement with 60° angle

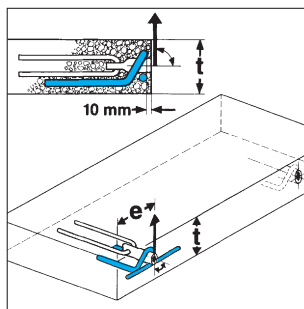
Thread	D [mm]	q [mm]	H [mm]	L [mm]
M+Rd 12	16.5	8	30	260
M+Rd 14	18.0	8	31	330
M+Rd 16	22.2	8	43	350
Rd 18	22.3	10	56	380
M+Rd 20	27.7	10	57	450
M+Rd 24	31.0	10	59	500
M+Rd 30	41.0	14	82	550
M+Rd 36	47.0	14	84	600
M+Rd 42	54.0	20	100	670
M+Rd 52	67.0	20	125	700



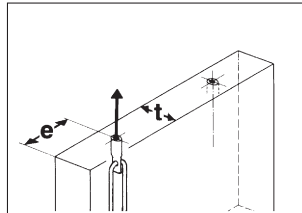
inclined load, straight reinforcement

Thread	D [mm]	q [mm]	h [mm]	L [mm]
M+Rd 12	16.5	8	45	260
M+Rd 14	18.0	8	55	330
M+Rd 16	22.2	8	60	350
Rd 18	24.0	10	65	380
M+Rd 20	27.7	10	70	450
M+Rd 24	31.0	10	80	500
M+Rd 30	41.0	14	85	550
M+Rd 36	47.0	14	90	600
M+Rd 42	54.0	20	95	670
M+Rd 52	67.0	20	100	700

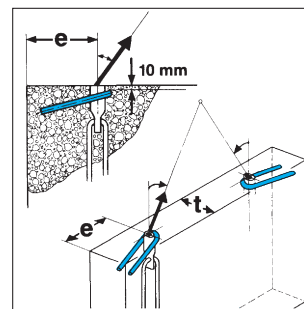
Minimum reinforcement: 2 Q 131 weld mesh (150 x 5 mm). Insure a minimum concrete covering to DIN 1045-1. Additional reinforcement for inclined and transverse loads.



transverse (in transverse direction to the slab)



axial (in the direction of the slab)



inclined (in the direction of the slab)

Load stages	Dimensions	Minimum slab thickness	Minimum distance to edge	Load capacity at $\geq 15 \text{ N/mm}^2$ (C12/15)				
				Axial load with all lifting loops List 40.0, 40.8, 41, 42	Transverse load with U-re-bar & lifting loops List 40.0, 40.8 or 42	inclined load up to 45°		
						w/o U-re-bar for inclined load		with U-re-bar for inclined load & lifting loop List 41
						with lifting loops List 40.0, 40.8 or 42	with lifting loop List 41	
[kg]	d x L [mm]	t [cm]	e [cm]	[kg]	[kg]	[kg]	[kg]	[kg]
400	M 10 x 50	8	14	700	200	500	600	750
500	M 12 x 60	8	14	900	200	520	650	850
800	M 14 x 70	8	18	1000	250	560	850	1200
1200	M 16 x 79	10	18	1500	400	700	1000	1350
2000	M 20 x 99	12	25	2500	750	1000	1900	2300
2500	M 24 x 112	12	30	3000	850	1100	2000	2600
3000	M 27 x 131	16	35	3800	1200	2300	2900	3500
4000	M 30 x 156	16	35	4000	1450	2300	3000	4400

Load stages	Dimensions	Minimum slab thickness	Minimum distance to edge	Load capacity at $\geq 25 \text{ N/mm}^2$ (C20/25)				
				Axial load with all lifting loops List 40.0, 40.8, 41, 42	Transverse load with U-re-bar & lifting loops List 40.0, 40.8 or 42	inclined load up to 45°		
						w/o U-re-bar for inclined load		with U-re-bar for inclined load & lifting loop List 41
						with lifting loops List 40.0, 40.8 or 42	with lifting loop List 41	
[kg]	d x L [mm]	t [cm]	e [cm]	[kg]	[kg]	[kg]	[kg]	[kg]
400	M 10 x 50	8	14	900	300	550	800	950
500	M 12 x 60	8	14	1150	300	650	850	1100
800	M 14 x 70	8	18	1300	350	750	1000	1400
1200	M 16 x 79	10	18	2000	500	1000	1300	1700
2000	M 20 x 99	12	25	2900	950	1300	2400	2400
2500	M 24 x 112	12	30	3900	1100	1400	2600	3000
3000	M 27 x 131	16	35	5000	1550	3000	3500	3950
4000	M 30 x 156	16	35	6600	1900	3400	3600	5500