

Load stages [kg]	Round thread (Rd)		Dimensions- [mm]		Approx. weight per 100 pieces [kg]	Dimensions of the U-re-bars [mm]			
	d x L [mm]	mild steel (bk) Ref. No.	electro plated (zn) Ref. No.	g		e	k	G	B
500	Rd 12 x 40	k3212bk	k3212zn	22	8	2.80	6	300	60
800	Rd 14 x 47	k3214bk	k3214zn	25	10	4.17	8	300	70
1200	Rd 16 x 54	k3216bk	k3216zn	27	13	7.21	10	350	70
1600	Rd 18 x 65	k3218bk	k3218zn	34	13	9.00	10	350	70
2000	Rd 20 x 69	k3220bk	k3220zn	35	15	14.53	12	400	80
2500	Rd 24 x 78	k3224bk	k3224zn	43	18	20.00	14	450	100
4000	Rd 30 x 103	k3230bk	k3230zn	56	22	48.00	16	600	130
6300	Rd 36 x 125	k3236bk	k3236zn	68	27	74.42	20	600	150
8000	Rd 42 x 145	k3242bk	k3242zn	80	32	106.00	25	650	200
12500	Rd 52 x 195	k3252bk	k3252zn	97	40	223.00	28	900	300

Load stages are the same for all product groups.

Load capacity is the maximum load that complies with the "Safety Standards for Transport Anchors and Transport Systems in Precast Concrete Elements". All safety factors for the breakage of rope (4), steel and concrete (3) have been included in the calculation.

Additional reinforcement must be applied by the user as shown (see table)!

A pressed-in plastic plug prevents an ingress of grout into the socket.

On your request our fixing sockets come with 4 to 6 µm electro plating plus yellow cromate coating.

Additional reinforcements for transverse and inclined load

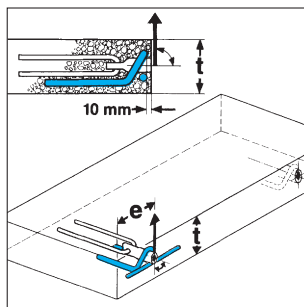
transverse reinforcement with 60° angle

Thread	D [mm]	q [mm]	H [mm]	L [mm]
M+Rd 12	16.5	8	30	260
M+Rd 14	18.0	8	31	330
M+Rd 16	22.2	8	43	350
Rd 18	22.3	10	56	380
M+Rd 20	27.7	10	57	450
M+Rd 24	31.0	10	59	500
M+Rd 30	41.0	14	82	550
M+Rd 36	47.0	14	84	600
M+Rd 42	54.0	20	100	670
M+Rd 52	67.0	20	125	700

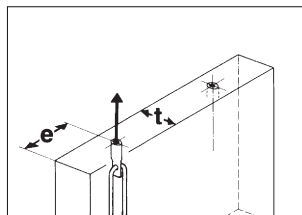
inclined load, straight reinforcement

Thread	D [mm]	q [mm]	h [mm]	L [mm]
M+Rd 12	16.5	8	45	260
M+Rd 14	18.0	8	55	330
M+Rd 16	22.2	8	60	350
Rd 18	24.0	10	65	380
M+Rd 20	27.7	10	70	450
M+Rd 24	31.0	10	80	500
M+Rd 30	41.0	14	85	550
M+Rd 36	47.0	14	90	600
M+Rd 42	54.0	20	95	670
M+Rd 52	67.0	20	100	700

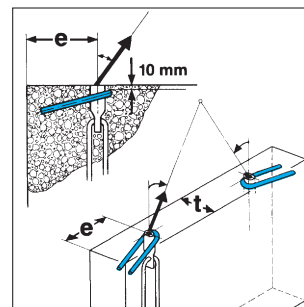
Minimum reinforcement: 2 Q 131 weld mesh (150 x 5 mm). Insure a minimum concrete covering to DIN 1045-1. Additional reinforcement for inclined and transverse loads.



transverse (in transverse direction to the slab)



axial (in the direction of the slab)



inclined (in the direction of the slab)

Load stages	Dimensions	Minimum slab thickness	Minimum distance to edge	Load capacity at $\geq 15 \text{ N/mm}^2$ (C12/15)				
				Axial load with all lifting loops List 40.0, 40.8, 41, 42	Transverse load with U-re-bar & lifting loops List 40.0, 40.8 or 42	inclined load up to 45°		
						w/o U-re-bar for inclined load		with U-re-bar for inclined load
[kg]	d x l [mm]	t [cm]	e [cm]	[kg]	[kg]	with lifting loops List 40.0, 40.8 oder 41	with lifting loop List 41	with U-re-bar & lifting loop List 41
500	Rd 12 x 40	8	14	500	250	450	500	500
800	Rd 14 x 47	8	18	800	300	650	700	700
1200	Rd 16 x 54	10	18	1200	400	750	1000	1050
1600	Rd 18 x 65	12	25	1600	500	850	1200	1300
2000	Rd 20 x 69	12	25	2000	850	1000	1700	1700
2500	Rd 24 x 78	12	30	2500	850	1100	2000	2300
4000	Rd 30 x 103	16	35	4000	1300	2600	2700	3900
6300	Rd 36 x 125	16	40	6300	1500	2800*	-	4500*
8000	Rd 42 x 145	20	50	8000	1900	4400*	-	5500*
12500	Rd 52 x 195	20	60	12500	3500	5500*	-	7300*

Load stages	Dimensions	Minimum slab thickness	Minimum distance to edge	Load capacity at $\geq 25 \text{ N/mm}^2$ (C20/25)				
				Axial load with all lifting loops List 40.0, 40.8, 41, 42	Transverse load with U-re-bar & lifting loops List 40.0, 40.8 or 42	inclined load up to 45°		
						w/o U-re-bar for inclined load		with U-re-bar for inclined load
[kg]	d x l [mm]	t [cm]	e [cm]	[kg]	[kg]	with lifting loops List 40.0, 40.8 oder 41	with lifting loop List 41	with U-re-bar & lifting loop List 41
500	Rd 12 x 40	8	14	700	350	600	650	700
800	Rd 14 x 47	8	18	1000	400	850	900	950
1200	Rd 16 x 54	10	18	1400	500	1000	1300	1400
1600	Rd 18 x 65	12	25	1800	700	1100	1600	1700
2000	Rd 20 x 69	12	25	2200	1100	1300	2200	2200
2500	Rd 24 x 78	12	30	3000	1100	1400	2600	3000
4000	Rd 30 x 103	16	35	5000	1700	3400	3500	5000
6300	Rd 36 x 125	16	40	7600	2000	3600*	-	5800*
8000	Rd 42 x 145	20	50	10200	2500	5700*	-	7200*
12500	Rd 52 x 195	20	60	14000	4500	7100*	-	9500*

* with list 40.0 + 40.8 only