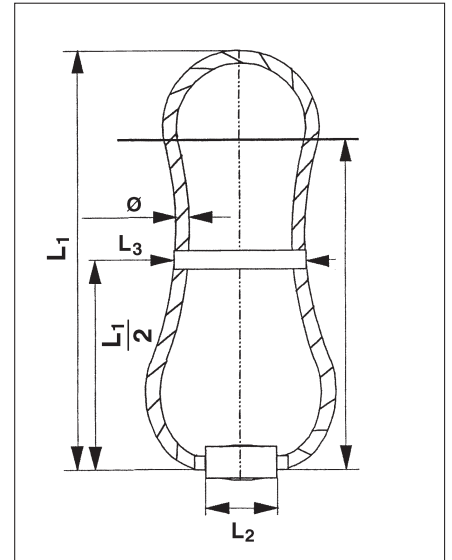


Load stages [kg]	Type plate colour	Reference No.	Approx. weight per 100 pieces [kg]
800	white	k3608	7.86
1200	red	k3612	11.06
1600	pink	k3616	14.90
2000	light green	k3620	25.00
2500	black	k3625	28.50
4000	dark green	k3640	48.47
6300	dark blue	k3663	97.44



Schroeder-Neuenrade
CO
Registered
for swaging wire ropes

Material:
Flexible round strand rope
to DIN 3060 (for Ø 6–12 mm) and
to DIN 3066 (starting at Ø 16 mm),
swaging from aluminium
to DIN 3093.



Table of dimensions:

Load stages [kg]	L ₁ [mm]	L ₂ [mm]	L ₃ [mm]
800	200	35	66
1200	220	40	73
1600	240	45	80
2000	270	50	90
2500	300	55	100
4000	350	65	116
6300	400	90	133

Load stages [kg]	Ø [mm]	insertion depth [mm]
800	6	140
1200	7	160
1600	8	170
2000	9	190
2500	10	220
4000	12	250
6300	16	290