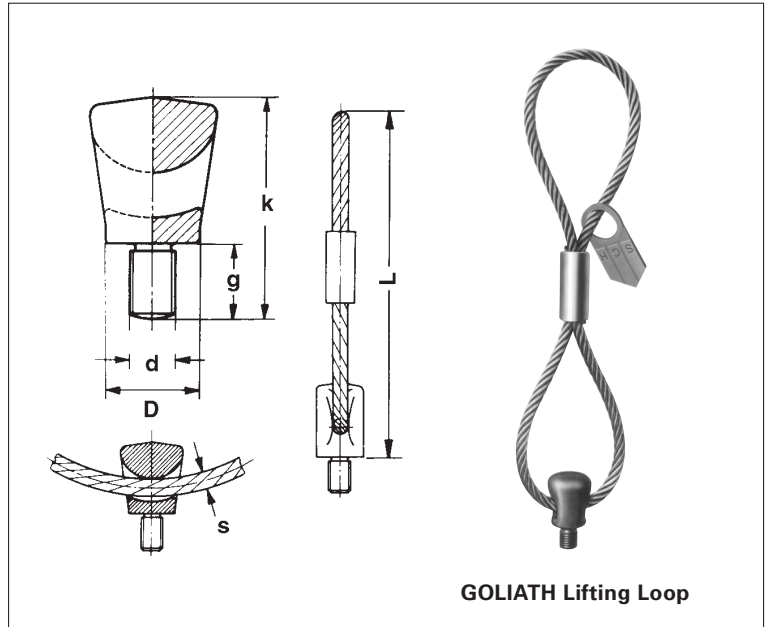


GOLIATH Lifting Loops

with forged head
for lifting and transporting



List
40.8
With a figure
of "8"-Shape



GOLIATH Lifting Loop

Load stages [kg]	Metric thread		Round thread (Rd)		Dimensions [mm]					Approx. weight per piece [kg]	Load capacity [kg] axial
	d [mm]	Ref. No.	d [mm]	Ref. No.	D	L	s	g	k		
400	M 10	k40108m			24	335	8	15	60	0.40	1300
500	M 12	k40128m	Rd 12	k40128r	24	335	8	20	60	0.40	1700
800	M 14	k40148m	Rd 14	k40148r	24	335	8	20	60	0.40	1800
1200	M 16	k40168m	Rd 16	k40168r	24	385	9	20	60	0.50	2300
1600			Rd 18	k40188r	44	470	12	25	102	1.50	3700
2000	M 20	k40208m	Rd 20	k40208r	44	470	12	25	102	1.50	4400
2500	M 24	k40248m	Rd 24	k40248r	44	550	14	30	102	2.10	5500
3000	M 27	k40278m			44	590	16	32	102	2.70	6400
4000	M 30	k40308m	Rd 30	k40308r	44	590	16	35	102	2.70	7200
6300	M 36	k40368m	Rd 36	k40368r	75	780	20	50	170	7.50	10000
8000	M 42	k40428m	Rd 42	k40428r	75	860	22	60	180	9.50	11000
12500	M 52	k40528m	Rd 52	k40528r	75	1080	28	70	190	15.00	17500

The loops are suitable for inclined and transversal pull in combination with different transport anchors.

Load stages are the same for all product groups.

Load capacity is the maximum load that complies with the "Safety Standards for Transport Anchors and Transport Systems in Precast Concrete Elements". All safety factors for the breakage of rope (4), steel and concrete (3) have been included in the calculation.

The head must be screwed down firmly!