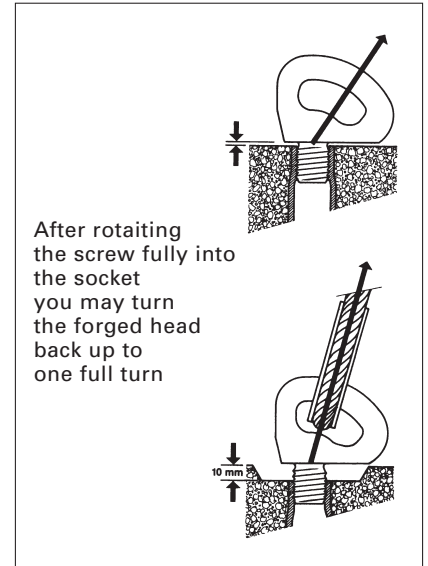
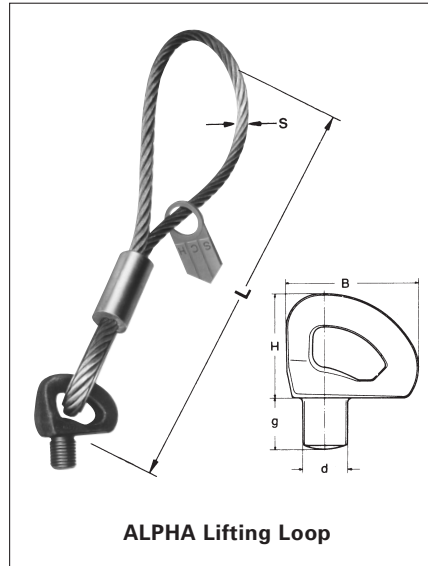


# ALPHA Lifting Loops for Inclined Pull

with eccentric forged head  
for lifting and transporting

List

# 41



Load stages [kg]	Metric thread		Round thread (Rd)		Dimensions [mm]					Approx. weight per piece [kg]	Load capacity [kg] axial
	d [mm]	Ref. No.	d [mm]	Ref. No.	B	H	g	L	s		
400	M 10	<b>k4110m</b>			55	42	22	260	8	0.40	1300
500	M 12	<b>k4112m</b>	Rd 12	<b>k4112r</b>	55	42	25	260	8	0.50	1700
800	M 14	<b>k4114m</b>	Rd 14	<b>k4114r</b>	55	42	25	260	8	0.60	1800
1200	M 16	<b>k4116m</b>	Rd 16	<b>k4116r</b>	55	42	25	320	10	0.70	2300
1600			Rd 18	<b>k4118r</b>	89	69	28	380	12	1.80	3700
2000	M 20	<b>k4120m</b>	Rd 20	<b>k4120r</b>	89	69	28	380	12	1.80	4400
2500	M 24	<b>k4124m</b>	Rd 24	<b>k4124r</b>	89	69	30	430	14	2.20	5500
3000	M 27	<b>k4127m</b>			89	69	32	490	16	2.50	6400
4000	M 30	<b>k4130m</b>	Rd 30	<b>k4130r</b>	89	69	35	490	16	2.50	7200

The loops are suitable for inclined and transversal pull in combination with different transport anchors.

**Load stages** are the same for all product groups.

**Load capacity** is the maximum load that complies with the "Safety Standards for Transport Anchors and Transport Systems in Precast Concrete Elements". All safety factors for the breakage of rope (4), steel and concrete (3) have been included in the calculation.