

# Nailing Plates

from plastic and magnetic material

List  
**51**

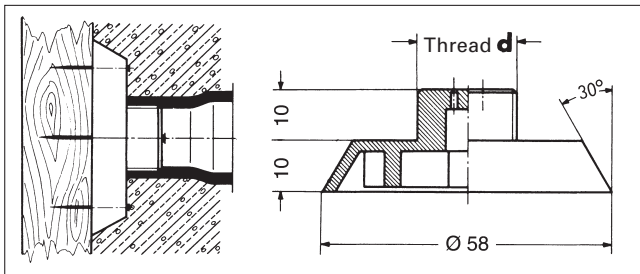
## Plastic

Dimension [mm]	Reference No.
d	
M + Rd 8	<b>k5108kh</b>
M + Rd 10	<b>k5110kh</b>
M + Rd 12	<b>k5112kh</b>
M + Rd 14	<b>k5114kh</b>
M + Rd 16	<b>k5116kh</b>
M + Rd 18	<b>k5118kh</b>
M + Rd 20	<b>k5120kh</b>
M + Rd 24	<b>k5124kh</b>
M + Rd 27	<b>k5127kh</b>
M + Rd 30	<b>k5130kh</b>
Key for unscrewing	<b>k5100kh</b>



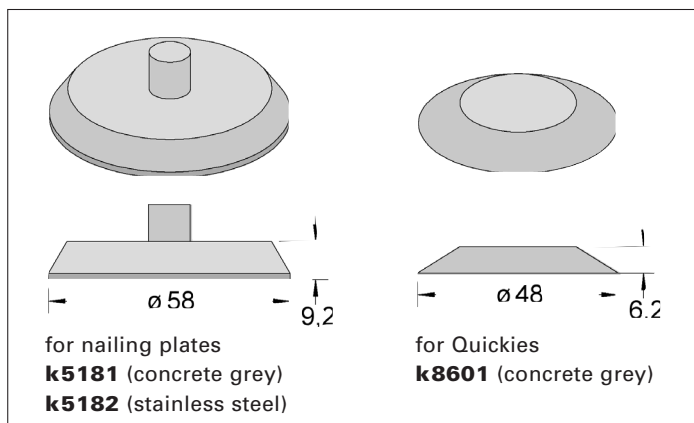
## Magnetic

Dimension [mm]	Reference No.
d	
M + Rd 8	<b>k5108mh</b>
M + Rd 10	<b>k5110mh</b>
M + Rd 12	<b>k5112mh</b>
M + Rd 14	<b>k5114mh</b>
M + Rd 16	<b>k5116mh</b>
M + Rd 18	<b>k5118mh</b>
M + Rd 20	<b>k5120mh</b>
M + Rd 24	<b>k5124mh</b>
M + Rd 27	<b>k5127mh</b>
Key for unscrewing	<b>k5100mh</b>



# Concrete Sealing Discs

to stick into the recesses of the nailing plates, magnetic nailing plates and Quickies.  
concrete grey or stainless steel appearance



## Fire resistant bounding agent

310 ml,  
building material (class A1) to DIN 4102-1  
for indoor applications **k5180**