

# Seal Cap

with and without thread

List  
**52**

## without thread

Size [mm]	Reference No.
M + Rd 6	<b>k5206og</b>
M + Rd 8	<b>k5208og</b>
M + Rd 10	<b>k5210og</b>
M + Rd 12	<b>k5212og</b>
M + Rd 14	<b>k5214og</b>
M + Rd 16	<b>k5216og</b>
M + Rd 18	<b>k5218og</b>
M + Rd 20	<b>k5220og</b>
M + Rd 24	<b>k5224og</b>
M + Rd 27	<b>k5227og</b>
M + Rd 30	<b>k5230og</b>
M + Rd 36	<b>k5236og</b>
M + Rd 42	<b>k5242og</b>
M + Rd 52	<b>k5252og</b>



## with thread

Size [mm]	Reference No.
M + Rd 8	<b>k5208mg</b>
M + Rd 10	<b>k5210mg</b>
M + Rd 12	<b>k5212mg</b>
M + Rd 14	<b>k5214mg</b>
M + Rd 16	<b>k5216mg</b>
M + Rd 20	<b>k5220mg</b>
M + Rd 24	<b>k5224mg</b>



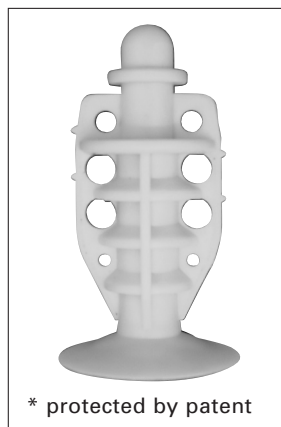
## Acessories for the assembling of wall elements

### Quicky\*

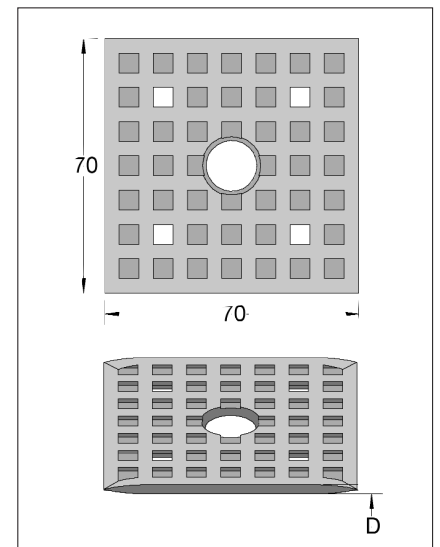
To support concrete walls used during construction.

Plate diameter 46 mm  
Length 74 mm

Reference No.  
**s8600**

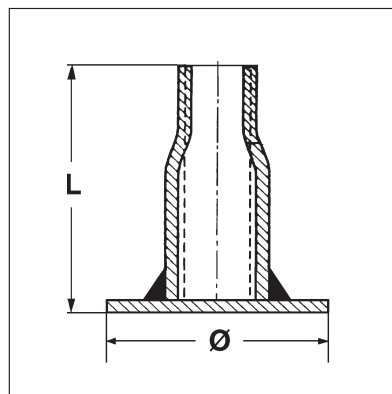


### PE packing shims from polyethylene



### Steel socket

Reference No.	Dimensions [mm]
<b>s8612</b>	M12 L = 40 Ø 35
<b>s8616</b>	M16 L = 45 Ø 40



Reference No.	D [mm]	Dimensions [mm]
<b>s5160kh</b>	2	70 x 70
<b>s5161kh</b>	3	70 x 70
<b>s5162kh</b>	5	70 x 70
<b>s5163kh</b>	10	70 x 70
<b>s5164kh</b>	20	70 x 70